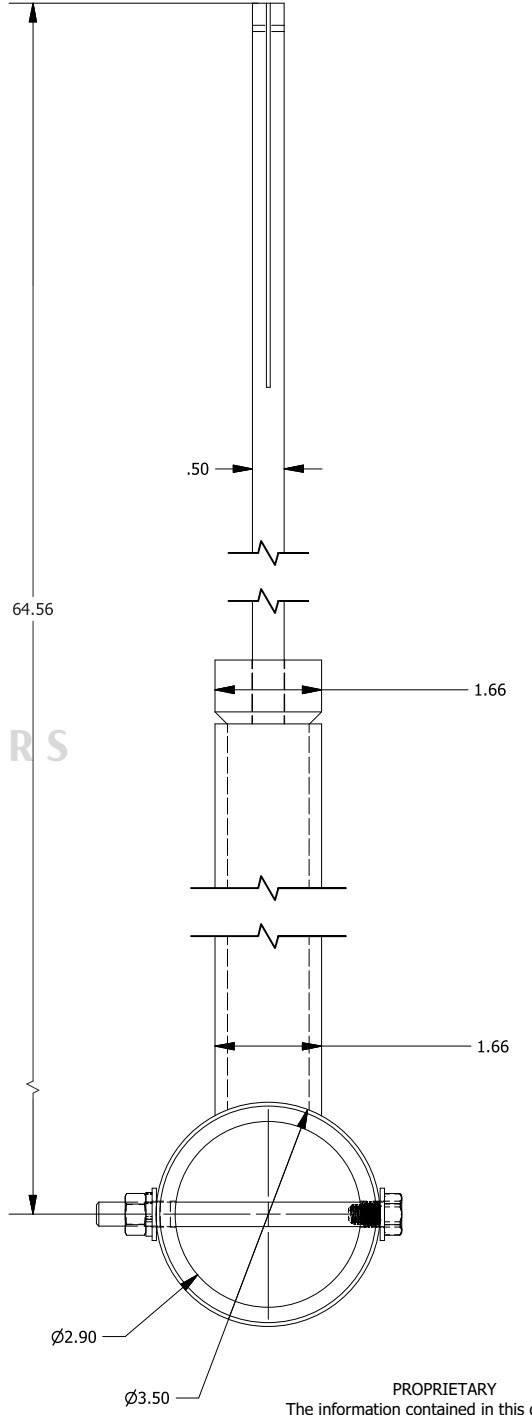
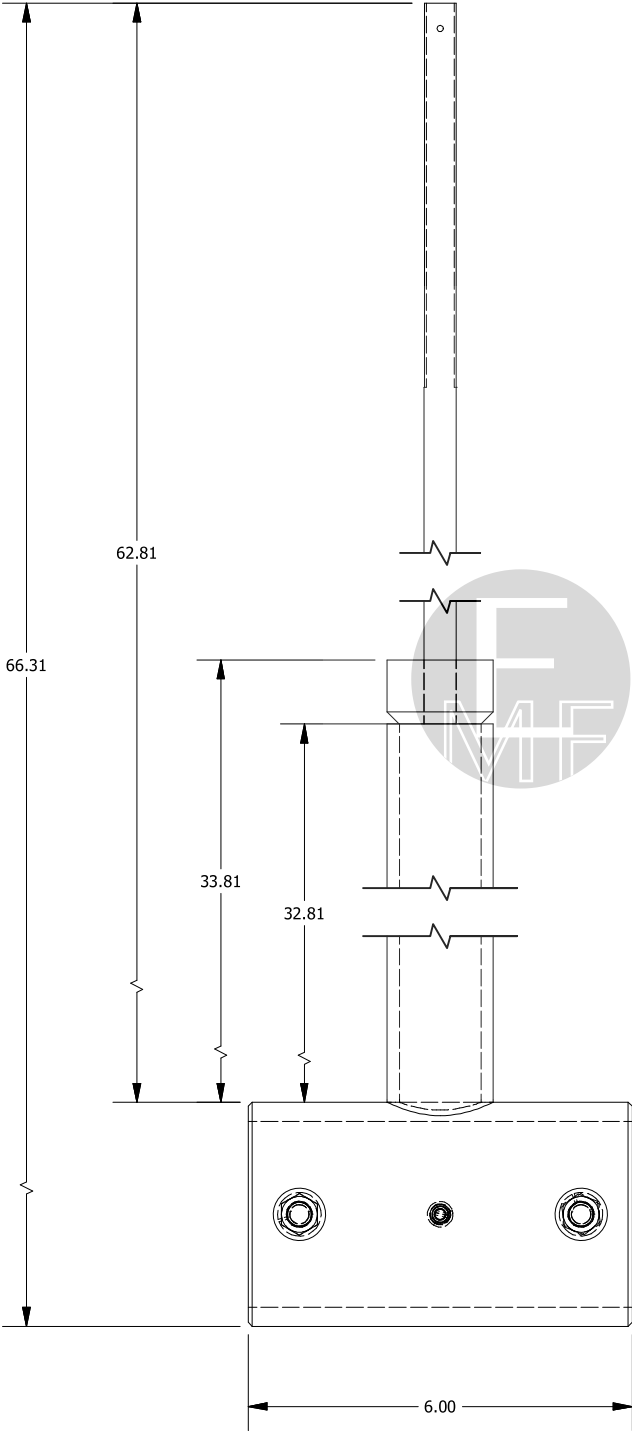


Instruments Used:
NRG #40C Anemometer
NRG #200 Vane
NRG Class 1 Anemometer



PROPRIETARY
The information contained in this drawing is the sole property of EDCO INC Any reproduction or use in part or as a whole without the written permission of EDCO INC is prohibited.