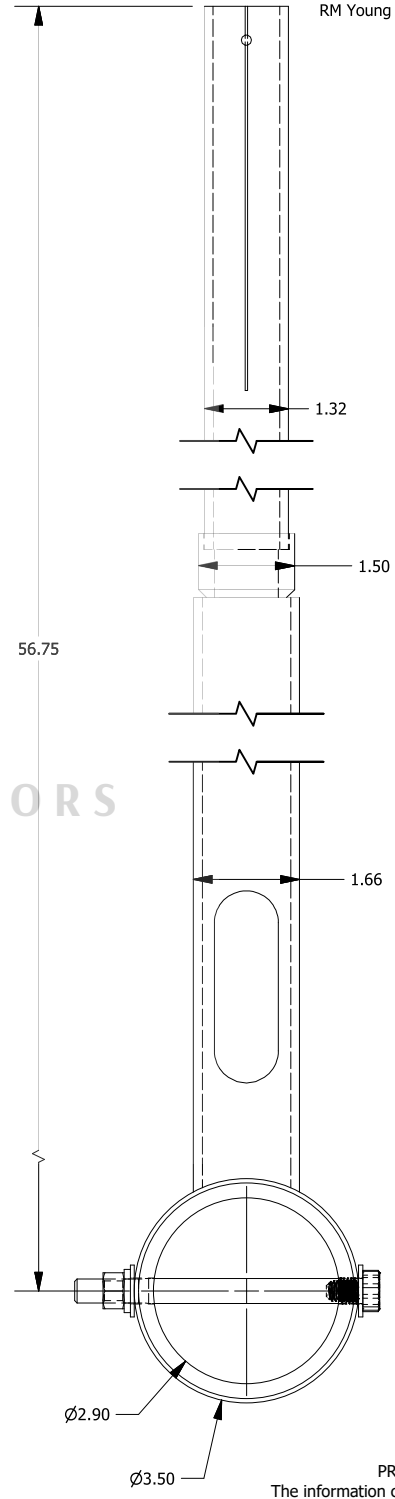
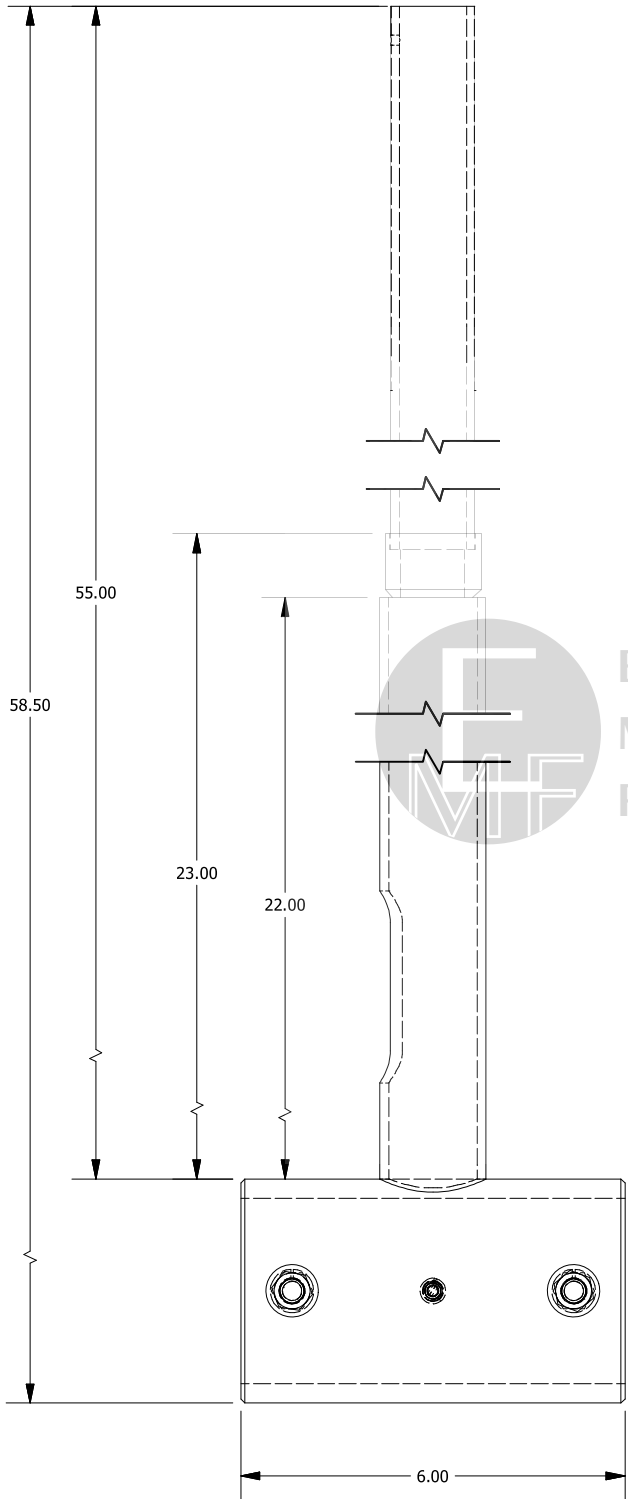


Instruments Used:  
RM Young Wind Monitor  
Thies First Class Advanced Anemometer  
Thies First Class Advanced Wind Vane  
RM Young 81000 3D US



PROPRIETARY  
The information contained in this drawing is the sole property of EDCO INC Any reproduction or use in part or as a whole without the written permission of EDCO INC is prohibited.