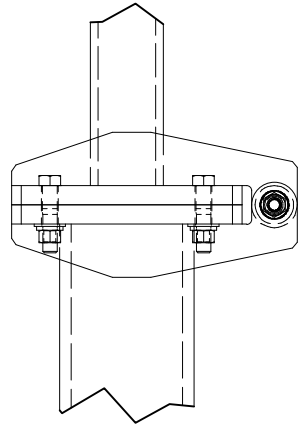
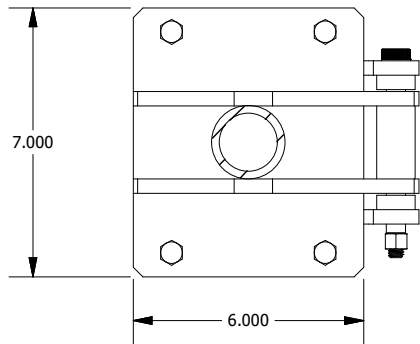


**Instruments Used:**

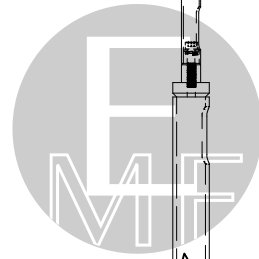
Vector Vane  
Vector Instruments Anemometer  
Windsensor P2546A & P2546C Anemometer



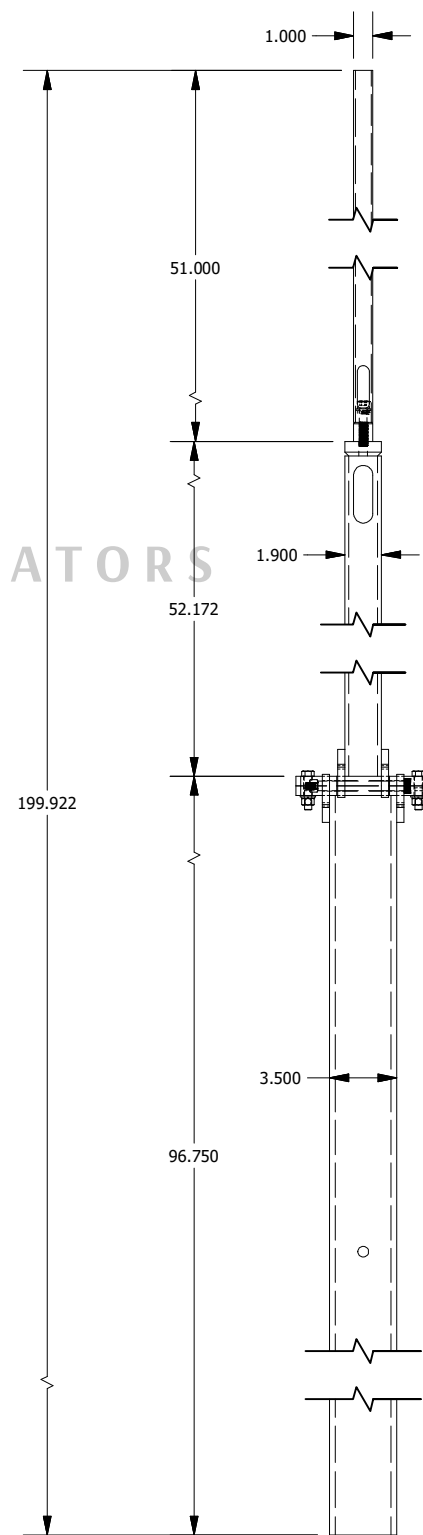
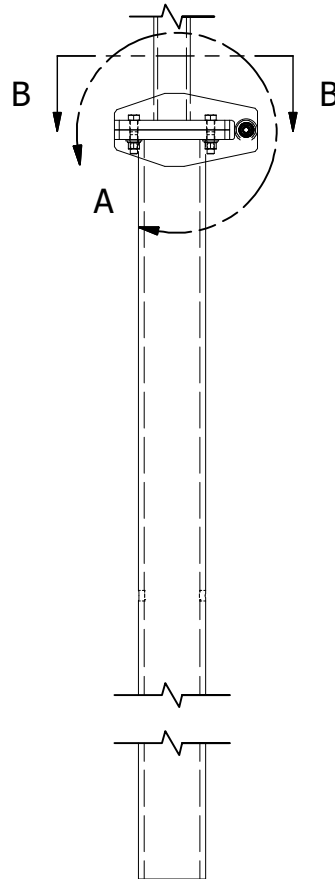
DETAIL A  
SCALE 1 / 5



SECTION B-B  
SCALE 1 / 5



EDCO  
METAL  
FABRICATORS



PROPRIETARY  
The information contained in this drawing is  
the sole property of EDCO INC Any reproduction  
or use in part or as a whole without the  
written permission of EDCO INC is prohibited.