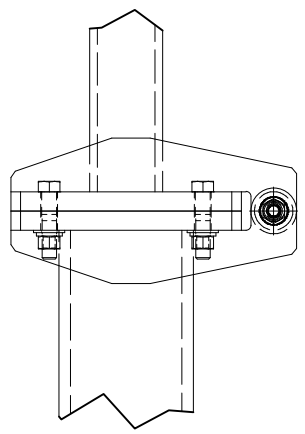
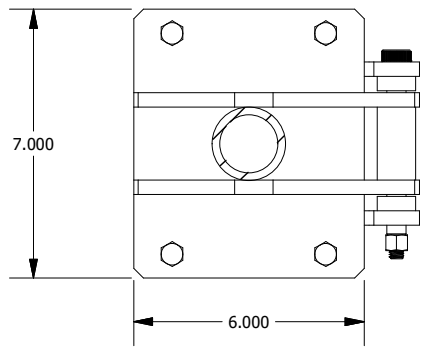


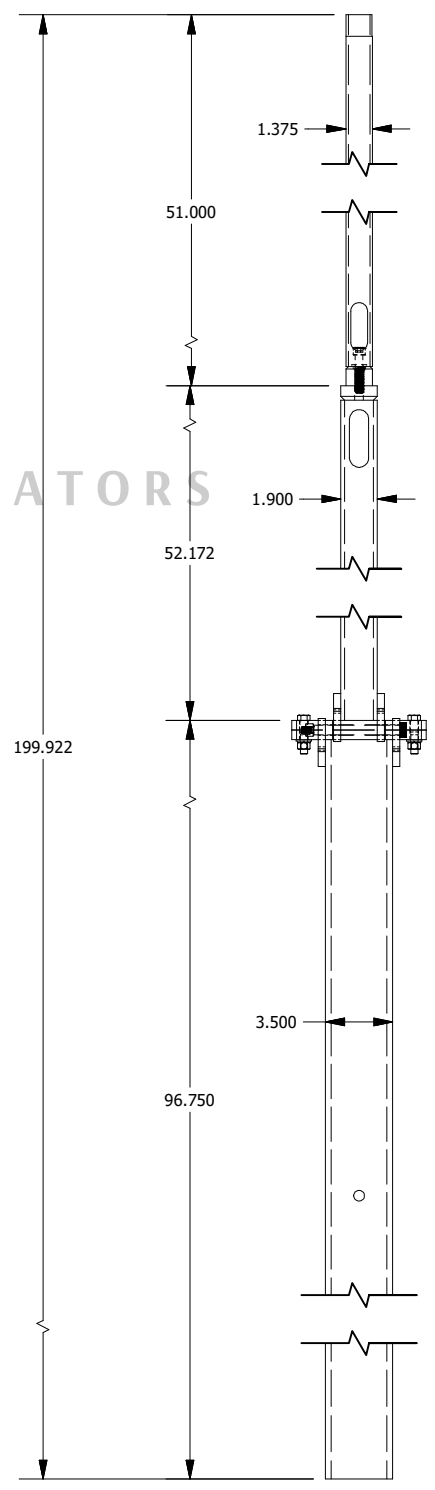
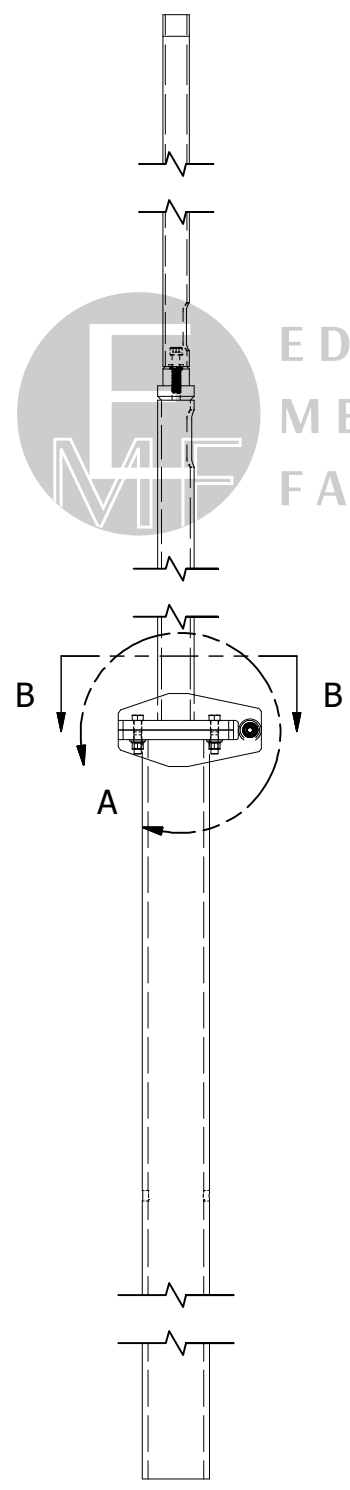
**Instruments Used:**  
Thies First Class Advanced Anemometer  
Thies First Class Advanced Wind Vane



DETAIL A  
SCALE 1 / 5



SECTION B-B  
SCALE 1 / 5



PROPRIETARY  
The information contained in this drawing is the sole property of EDCO INC Any reproduction or use in part or as a whole without the written permission of EDCO INC is prohibited.